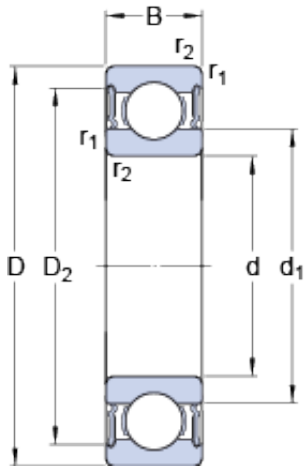




DRIVESHAFT ANDERSON, INC.



6313-2RS1/HC5C3WT SKF Hybrid Deep Groove Ball Bearings

Bearing No. 6313-2RS1/HC5C3WT

6313-2RS1/HC5C3WT Bearing 2D drawings and 3D CAD models

Size	140x65x33 mm
Bore Diameter	140 mm
Outer Diameter	65 mm
Width	33 mm
d	65 mm
D	140 mm
B	33 mm
d ₁	88.35 mm
D ₂	121 mm
d _a - min.	77 mm
d _a - max.	88.3 mm
D _a - max.	128 mm
r _a - max.	2 mm
Basic dynamic load rating - C	97.5 kN
Basic static load rating - C ₀	60 kN
Fatigue load limit - P _u	2.5 kN
Limiting speed	3200 r/min
Calculation factor - k _r	0.025
Calculation factor - f ₀	13.2
Category	Single Row Ball Bearings
Inventory	0.0
Manufacturer Name	SKF
Minimum Buy Quantity	N/A
Weight / Kilogram	0



DRIVESHAFT ANDERSON, INC.

Product Group	B00308
Enclosure	2 Seals
Precision Class	ABEC 1 ISO P0
Maximum Capacity / Filling Slot	No
Rolling Element	Ball Bearing
Snap Ring	No
Internal Special Features	Silicon Nitride Rolling Element Electrical Insulated
Cage Material	Steel
Enclosure Type	Contact Seal
Internal Clearance	C3-Loose
Inch - Metric	Metric
Long Description	65MM Bore; 140MM Outside Diameter; 33MM Outer Race Width; 2 Seals; Ball Bearing; ABEC 1 ISO P0; No Filling Slot; No Snap Ring; Silicon Nitride Rolling Element Electrical Insulated Internal Special
Other Features	Deep Groove NBR Seal Hybrid Silicon Nitride Rolling Element WT Standard Grease
Category	Single Row Ball Bearing
UNSPSC	31171504
Harmonized Tariff Code	8482.10.50.68
Noun	Bearing
Keyword String	Ball
Manufacturer URL	http://www.skf.com
Weight / LBS	4.885
Outer Race Width	1.299 Inch 33 Millimeter
Outside Diameter	5.512 Inch 140 Millimeter
Bore	2.559 Inch 65 Millimeter



DRIVESHAFT ANDERSON, INC.

Inner Race Width	0 Inch 0 Millimeter
d_1	88.35 mm
D_2	121 mm
$r_{1,2}$ min.	2.1 mm
d_a min.	77 mm
d_a max.	88.3 mm
D_a max.	128 mm
r_a max.	2 mm
Basic dynamic load rating C	97.5 kN
Basic static load rating C_0	60 kN
Fatigue load limit P_u	2.5 kN
Calculation factor k_r	0.025
Calculation factor f_0	13.2
Mass bearing	2.16 kg